

# UNBREAKABLE MIRRORS



Ashtree unbreakable mirrors are trusted and used around the world in many different applications. As can be seen on the image above, on the left, they can withstand serious product testing by the armed forces. The image (above) to the right shows the sleek design of the mirrors for road going applications.

As with all Ashtree products universal fitment is something we look to design into the product. Mirrors will fit either 10-20mm or 16-28mm mirror arms depending on the clamp chosen.

**MX250CE**

e11 IV & V 03\*6843

Fitment: 10-20mm | Radius: 300mm | MX250CE Yellow

Replacement Lens: GX250CE

**MX250CEB**

e11 IV & V 03\*6843

Fitment: 16-28mm | Radius: 300mm | MX250CEB Yellow

Replacement Lens: GX250CE

**MX430CE**

e11 IV 03\*6404

Fitment: 10-20mm | Radius: 300mm

Replacement Lens: GX430CE

**MX430CEB**

e11 IV 03\*6404

Fitment: 16-28mm | Radius: 300mm

Replacement Lens: GX430CE

These products are now available in retail packaging, please see inside back cover.

Heated version available, may be subject to minimum quantity

### MX4402CE

e11 IV & V 03\*8012

**Fitment** 10-20mm **Radius** 450mm

Replacement Lens  
GX4402CE



### MX4402CEB

e11 IV & V 03\*8012

**Fitment** 16-28mm **Radius** 450mm

Replacement Lens  
GX4402CE

These products are now available in retail packaging, please see inside back cover.

### MX440CE

e11 II & III 03\*6619

**Fitment** 10-20mm **Radius** 1200mm **MX440CE** Yellow

Replacement Lens  
GX440CE

### MX440CEB

e11 II & III 03\*6619

**Fitment** 16-28mm **Radius** 1200mm **MX440CEB** Yellow

Replacement Lens  
GX440CE



These products are now available in retail packaging, please see inside back cover.



### MX450CE

II 46R 048749

**Fitment** 10-20mm **Radius** 1200mm

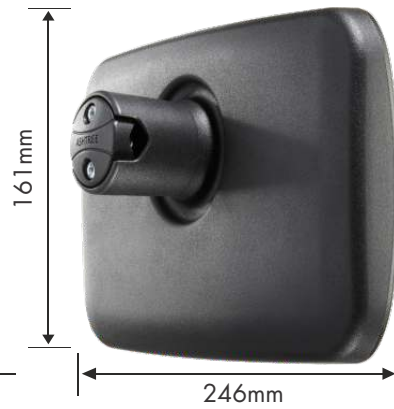
Replacement Glass  
GX450CE

### MX450CEB

II 46R 048749

**Fitment** 16-28mm **Radius** 1200mm

Replacement Glass  
GX450CE



### MX455CE

IV 46R 048748

**Fitment** 10-20mm

Replacement Glass  
GX455CE

### MX455CEB

IV 46R 048748

**Fitment** 16-28mm

Replacement Glass  
GX455CE



### MX550CE

e11 VI 03\*6447

Fitment 10-20mm	Radius 250mm
--------------------	-----------------



210mm

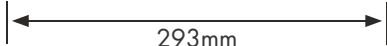
293mm

Unbreakable lens

### MX550CEB

e11 VI 03\*6447

Fitment 16-28mm	Radius 250mm
--------------------	-----------------



293mm

Unbreakable lens

### MX555CE

e11 II & III 03\*6590

Fitment 10-20mm	Radius 1200mm	MX555CE Yellow
--------------------	------------------	-------------------

Replacement Lens  
GX555CE



276mm

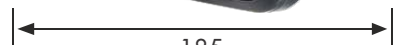
185mm

### MX555CEB

e11 II & III 03\*6590

Fitment 16-28mm	Radius 1200mm	MX555CEB Yellow
--------------------	------------------	--------------------

Replacement Lens  
GX555CE



185mm



307mm

307mm

Unbreakable lens

"B" versions of both mirrors are available with a clamp that fits 16-28mm diameter mirror arms

### MX635CE

e11 VI 03\*6343

Fitment 10-20mm	Radius 225mm
--------------------	-----------------

### MX6351CE

e11 IV & V 03\*6343

Fitment 10-20mm	Radius 330mm
--------------------	-----------------

### MX640CEB

II 46R 048750

Fitment 16-28mm	Radius 1200mm
--------------------	------------------

Replacement Lens  
GX640CE

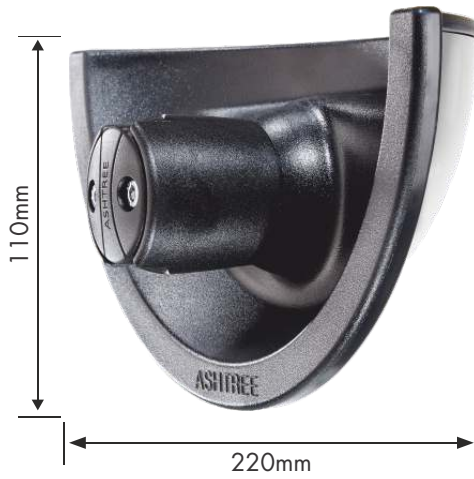


316mm

211mm

### MX943

Fitment  $\varnothing$  10-20mm  
Radius 100mm



### MX725CEB

e11 II & III 03\*6589

Fitment  $\varnothing$  16-28mm  
Radius 1200mm  
MX725CEB Yellow

Replacement Lens  
GX725CE



### MX926CE

E11 II, III & IV 048173

Fitment  $\varnothing$  16-28mm  
Radius 1200mm  
Main Lens  
Radius 300mm  
Wide Angle Lens

### MX925CEH

E11 II, III & IV 048173

Fitment  $\varnothing$  16-28mm  
Radius 1200mm  
Main Lens  
Radius 300mm  
Wide Angle Lens



Heated version available,  
may be subject to minimum quantity

### MX948

Fitment  $\varnothing$  10-20mm  
Radius 150mm



### MX948B

Fitment  $\varnothing$  16-28mm  
Radius 150mm

MX926CE - Manually adjustable  
MX926CEH-manually adjustable but heated mirror-requires the Y3098 cable shown on page 19.  
MX925CEH-electrically powered mirror-requires 2 x Y3107 cable shown on page 19.