

SAFETY MIRRORS



Safety mirrors are now widely used on all different types of machine and application. At one time any mirror would do but these days a more considered approach is taken. Stricter visibility standards, designed to reduce and prevent accidents, mean better quality solutions are now required. Ashtree products are specially designed to meet these stricter requirements.



Ashtree mirrors are used on machinery such as loading shovels, agricultural machinery, telehandlers, truck mounted fork lifts and materials handling equipment.

M245C-42

Fitment 25-42mm Radius 450mm



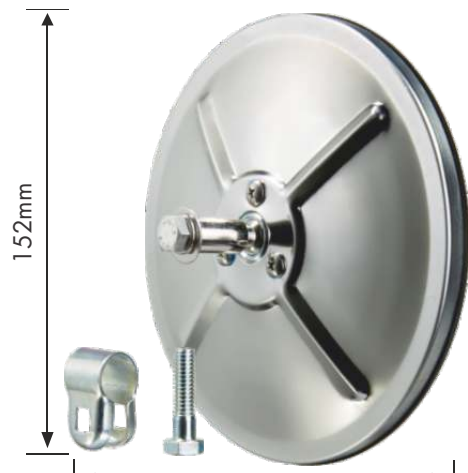
This mirror is available with different radii of glass - may be subject to minimum quantities.

M560C-42

Fitment 25-42mm Radius 450mm



This mirror is available with different radii of glass - may be subject to minimum quantities.



MX941

Unbreakable lens

Fitment 13-16mm Radius 450mm

MX941A

Unbreakable lens

Radius 450mm



MX941A Complete with arm that has 2 x 7mm slots at 75-80mm centres

MX941B

Unbreakable lens

Fitment 16-28mm Radius 450mm



MX941B complete with clamp for fitment to 16-28mm diameter arms

M5601CE

e11 VI 46R 048505

Fitment 10-20mm Radius 300mm



M5601CEA

e11 VI 46R 048505

Fitment 10-20mm Radius 300mm

"B" versions of both mirrors are available with a clamp that fits 16-28mm diameter mirror arms

MX942

Unbreakable lens

Fitment 13-16mm Radius 100mm



MX942B

Unbreakable lens

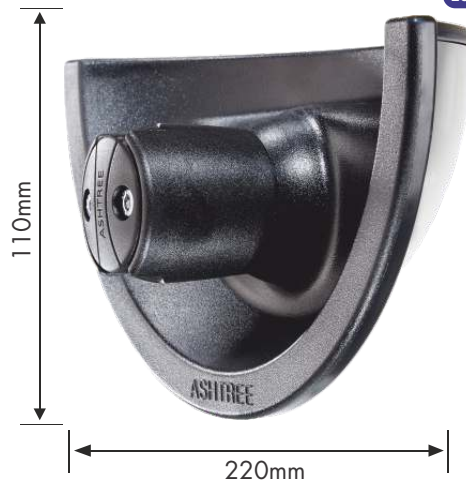
Fitment 16-28mm Radius 100mm



MX943

Unbreakable lens

Fitment 10-20mm Radius 100mm



MX942A

Radius 100mm



Complete with arm that has 2 x 7mm slots at 75-80mm centres

MX948

Unbreakable lens

Fitment	Radius
10-20mm	150mm

MX948B

Unbreakable lens

Fitment	Radius
16-28mm	150mm



MX950-Tunnel

Unbreakable lens

Fitment	Radius
19mm Stem	125mm - 185mm

MX951-Tunnel

Unbreakable lens

Fitment	Radius
19mm Stem	125mm - 185mm

MX950-Stud

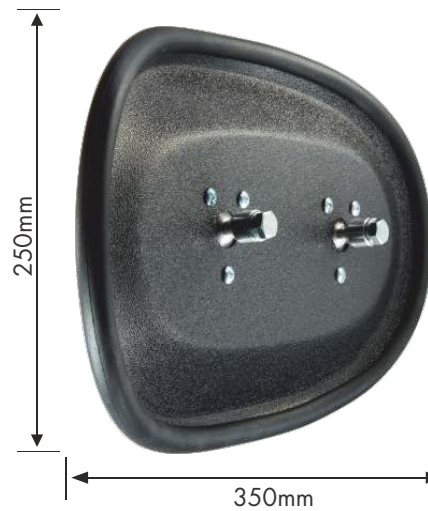
Unbreakable lens

Fitment	Radius
3/8" UNC STUD	125mm - 185mm

MX951-Stud

Unbreakable lens

Fitment	Radius
3/8" UNC STUD	125mm - 185mm



MX952

Unbreakable lens

Fitment	Radius
Twin Stud at 115mm	200mm



MX950B and MX951B versions come complete with clamp for fitment to 16-28mm diameter mirror arms